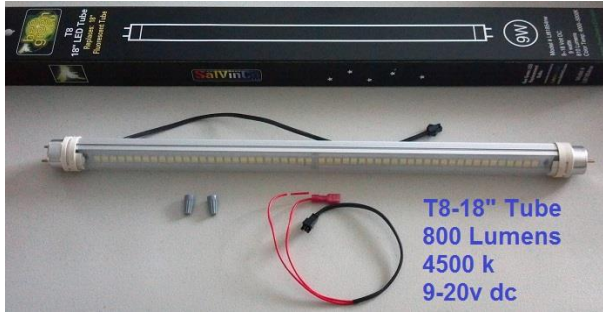




Instructions T8-18" LED Bulb Model: Lt81854nw



Contents:

LED Tube with attached power cable, Adapter Cable, Wire Nuts (2)

Tools required:

- Safety glasses
- Wire stripper
- Pen, pencil, or marking device
- Drill – with 1/8" and 15/32" drill bits
- Grommets or Silicone

WARNING- This product is for 9-18v DC Applications only. Do not attempt to install into 110-120v AC household current as serious injury and/or damage may occur.

DISCLAIMER: These LED bulbs require alteration in wiring to your light 12 volt Fluorescent fixture to bypass and/or remove the Florescent ballast which is no longer needed. This alteration will void warranty (if any) on your original fixture. While this is a simple rewiring procedure, we recommend professional installation, as we accept no liability for any damages (i.e. shorts, loose-wires, etc.) caused by improper installation.

Overview-

The Bee Green LED T8 Bulb draws current through its adapter cable when connected to positive (+) and negative (-) rather than the light fixture receptacles/pins and ballast. The bulb is held in place utilizing the fixture receptacles/pins, however the contacts on either end of the LED bulb are electrically isolated.

Instructions:

Disconnect power from the circuit for the light fixture. Remove fixture cover and the existing (fluorescent) bulb. Remove the ballast cover by squeezing long sides together to remove from tabs (Fig.1)

Routing wire through ballast cover

The bulb's power cable must be routed through or under the ballast cover into the switch area for wiring. If there is no room to slip the cable under the edge of the ballast cover, you will need to drill an access hole with minimum 15/32" to fit the male connector on end of power cable through.

Note: In a two-bulb fixture, you can a) drill holes on both sides of ballast cover to allow for each cable; or b) drill a single hole in the center of ballast cover to allow for shared access of power cables. [consideration may be taken to determine best visual aspect of completion].

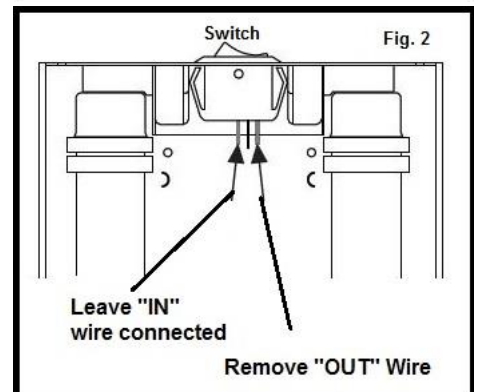
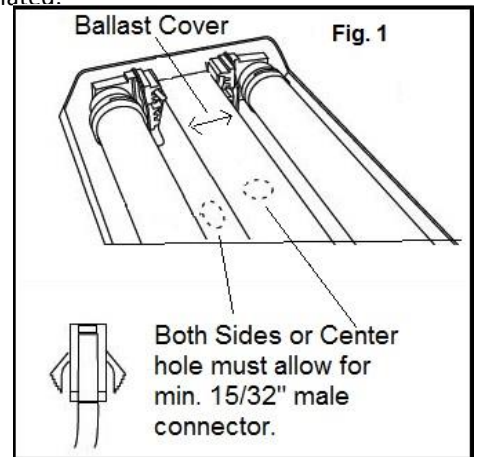
To drill hole.

Make drill mark with writing device
Drill a pilot hole wit the 1/8" drill bit.
Drill out the hole with the 15/32" drill bit.

Wiring

Note: Leave the wire connected to the "in" switch contact as is (Fig. 2)

Note: This T8 LED Bulb is not polarity sensitive, therefore either red wire on adapter cable is attached to the out contact (Fig. 2).



1. If the "Out" switch contact is not soldered to the existing wire, you can pull that wire off of the contact and connect the push-on terminal of the adapter cable directly to the contact. If the contact is soldered to the existing wire, cut off the push-on terminal from the adapter cable, then cut the wire soldered to the switch contact, leaving plenty of wire for splicing. You must strip the ends of BOTH the wire soldered to the switch contact and the adapter cable wire.

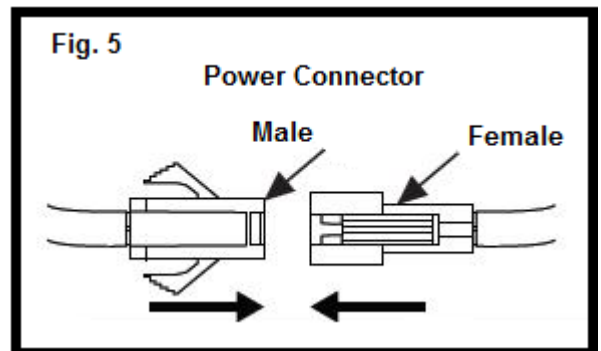
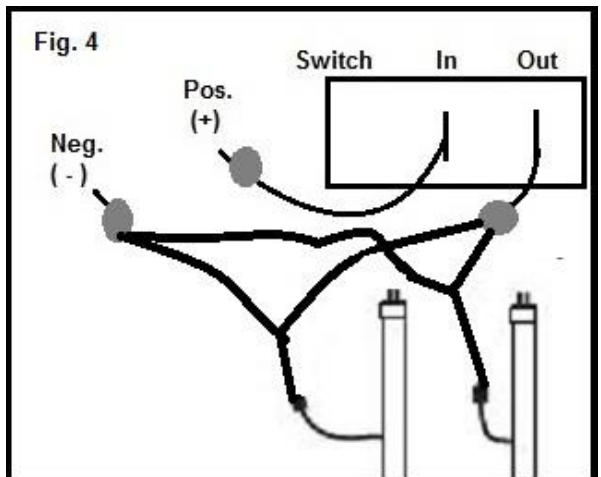
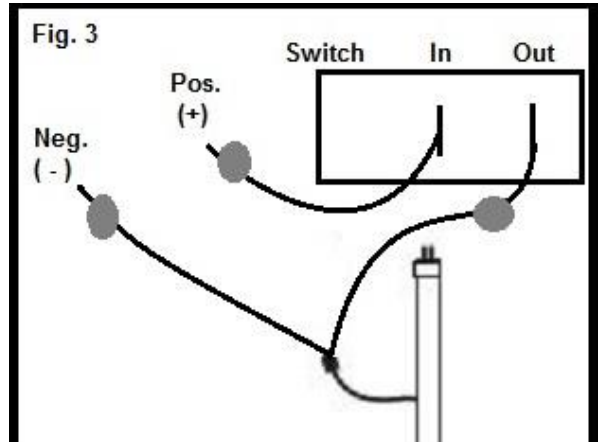
2. Cut the negative wire from the ballast and strip the end of the wire for splicing.

3. **Single bulb fixture** – Using the supplied wire nuts to secure: splice one red wire from the adapter cable to the wire attached to the "Out" switch contact (Fig. 2) and splice the other red wire to the wire connected to the negative (-) (Fig. 3)

Two-bulb fixture- Using the supplied wire nuts to adapter to secure: splice one red wire from each of the adapter cables to the wire attached to the "Out" switch contact (Fig. 2) and splice the other red wire for each o the wire connected to the negative (-) (Fig.4)

Note: These T8 LED Bulbs have twistable ends to allow for optimal positioning when installed.

4. Install the bulbs by inserting the ends into the receptacles until each bulb is firmly seated.
5. Route the power cable for each bulb through the hole (s) in the ballast cover and protect the wire from chafing or shorting with a grommet or silicone, etc.
6. Connect the male and female ends of power cable for each LED light (Fig. 5).
7. Reinstall the ballast cover.
8. Replace the fixture cover.



See our full line of 12 Volt LED lights and 12 Volt LED replacement bulbs online - www.SalVinCo.com